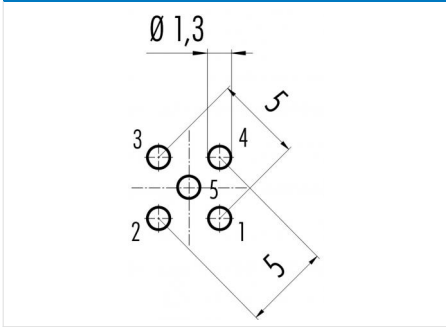


Product description **M12-A female panel mount connector, Contacts: 5, shieldable, dip-solder, IP68, UL, PG9, front mounting**
 Area **M12-A series 713**
 Order number **86 0532 1000 00005**

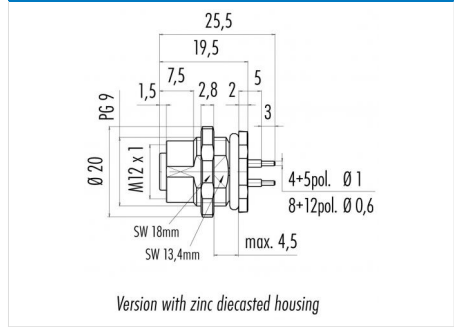
Illustration



Conductor layout



Scale drawing



Contact arrangement (Plug-in side)

	X	Y
1	-2,50	0,00
2	0,00	2,50
3	2,50	0,00
4	0,00	-2,50
5	0,00	0,00

- 1 braun/brown
- 2 weiß/white
- 3 blau/blue
- 4 schwarz/black
- 5 grau/grey

Geschirmte Versionen: Schirm auf Gehäuse
 Shielded versions: shield on housing

You can find the assembly instructions on the next page.

Technical data

General values

Notice Please note that, due to the change from the old to the new order number, there may be deviations in the technical specifications. For questions about product details, please use the 'Contact Customer Service' form on the right.
 Connector design female panel mount connector
 Connector locking system screw
 Termination dip-solder
 Upper limit temperature 85 °C
 Lower limit temperature -40 °C
 Customs tariff number 85369010
 Packaging Unit 20

Cable data

Approval 1 UL

Electrical values

Rated current (40 °C) 4 A (3 A UL)
 Rated voltage 60 V
 Rated voltage UL 125
 Rated impulse voltage 1500 V
 Pollution degree 3
 Overvoltage category II
 Insulating material group III
 Insulation resistance > 10⁸ Ω
 EMC compliance shieldable
 Degree of protection IP68
 Mechanical operation > 100 Mating cycles
 Contact length 6.0 mm

Material

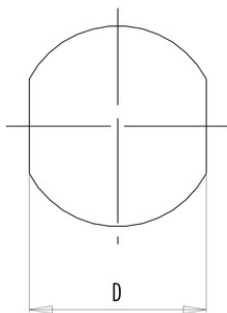
Contact material CuSn (bronze)
 Contact plating Au (gold)
 Contact body material PA
 Housing material Zinc die-cast nickel-plated
 REACH SVHC CAS 7439-92-1 (Lead)

Product description **M12-A female panel mount connector, Contacts: 5, shieldable, dip-solder, IP68, UL, PG9, front mounting**

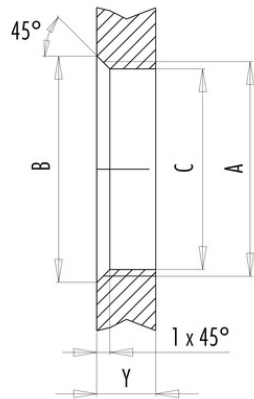
Area **M12-A series 713**
 Order number **86 0532 1000 00005**

Assembly instructions / Panel cut-out

With flats as anti-rotation device



With bore hole



Installation direction:
o-ring sits on chamfer.

Thread	Measures			Tightening torque	
	B (mm)	C (mm)	D (mm)	Metal housing/ Positioning sleeve	Plastic housing/ Positioning sleeve
PG 9	16,2	15,3	13,5	1,25 Nm	1,25 Nm
PG 11	20,2	18,7	17,0	2 Nm	–
PG 13,5	21,5	20,5	–	2 Nm	–
M12 x 0,5	–	12,1	–	–	0,4 Nm
M12 x 1	–	12,2	–	1 Nm	–
M14 x 1	15,2	14,2	–	1,25 Nm	–
M16 x 1,5	17,0	16,1	13,5	1,25 Nm	1,25 Nm
M20 x 1,5	21,0	20,1	–	2 Nm	1,25 Nm

Version	Thickness of wall Y (mm)	
	min (mm)	max (mm)
Fastened from back side	2	3,5
Front fastened	2	4,5
Positioning possible ¹⁾	2	3,5
Screw clamp	2	3,5
Thread M12 x 1	2	3,0
Thread M14 x 1 ²⁾	³⁾ 1,5/ ⁴⁾ 2	6,5

Notes

- ¹⁾ Do not attach a chamfer
- ²⁾ Wall thickness:
use locknut 01-5385
up to 1,5 mm,
>1,5 mm cut thread
- ³⁾ Nut
- ⁴⁾ Thread in wall of housing

Product description	M12-A female panel mount connector, Contacts: 5, shieldable, dip-solder, IP68, UL, PG9, front mounting
Area	M12-A series 713
Order number	86 0532 1000 00005

Security notices

The connectors are designed for use in plant, control system and electrical equipment. The end user is responsible for checking whether the connectors are suitable for use in other applications. Connectors with degree of protection IP 67 and IP 68 are not suitable for use under water. When used outdoors, the connectors must be separately protected against corrosion. For further information about IP degrees of protection refer to 'Technical support' in the Download Centre.